

Cross laser, green, 532 nm, 90 °, 1 mW

CA532-1-3(20x80)
Order Number: 70100198

Main Parameters (*)	min	typ	max	Unit
Wavelength		532		nm
Optical Output Power		1		mW
Operating Voltage	2.7	3	3.3	V DC
Operating Current	80	160	300	mA
Operating Temperature	15		30	°C
Storage Temperature	-40		80	°C

Main Data

Warranty 1 years

Technical Parameters

Lifetime > 5,000 h
RoHS yes

Optical Parameters

Beam Shape	Cross
Laser Class	1
Divergence	0.2 mrad
Fan Angle	90 °
Line Thickness	<1mm@2m
Operating Distance	2 m
Optics	glass lens AR coated
Beam Mode	TEM00
Laser technology	Solid State (YVO4+KTP)
Stability	+/- 20% @ 15-30°C
Focus	fixed (2000mm)
Warm up time	< 15 min
Verticality	< ± 0.5 °

Electrical Parameters

Potential of Housing isolated
Power Supply LFNT-3

Mechanical Parameters

Size	Ø20x80 mm
Material	aluminium
Cable length	100 mm
Output Aperture	5 mm
Housing Color	black
Weight	60 g
Stripping of wire	5 mm

(*) Over the complete operating temperature range

Features



- Operating Voltage 3 V DC
- Laser Class 1
- Fan angle 90 °
- Uniform line thickness
- Fixed focus

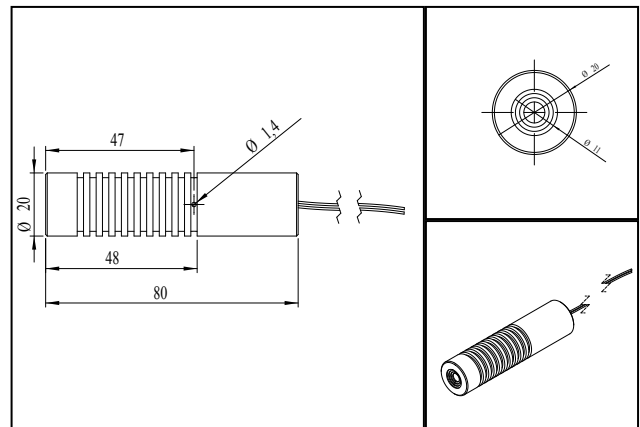
Picture



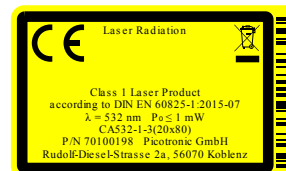
Cable color

Ground  blue GND
positive  red 2.7 - 3.3, typ 3 V DC

Drawing



Safety Label



Valid Revision

5 | 26-JUN-2020